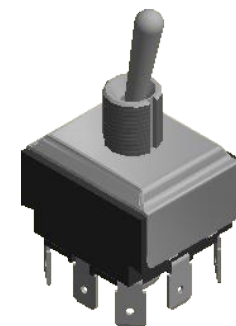
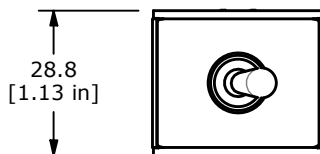
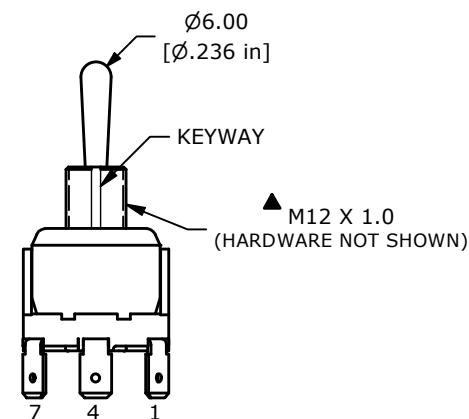
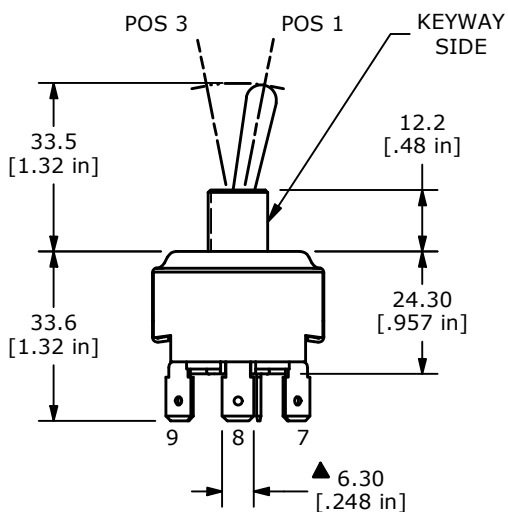


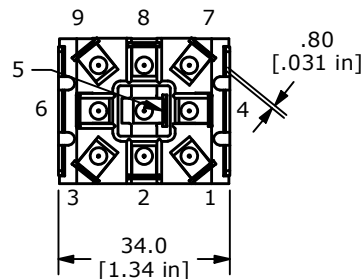
RECOMMENDED PANEL CUT OUT



▲ SWITCH FUNCTION		
POS. 1	POS. 2	POS. 3
ON	N/A	ON
2-3, 5-6, 8-9	N/A	1-2, 4-5, 7-8



- NOTES:
- ALL DIMENSIONS IN MM
 - GENERAL TOLERANCE: X.X = ±0.5
X.XX = ±0.25
 - TERM. NOS. FOR REFERENCE ONLY
 - ELECTRICAL LIFE: 6,000 CYCLES
 - OPERATING TEMP: 0°C to 85°C
 - CONTACT RESISTANCE: 50mΩ MAX. INITIAL
 - INSULATION RESISTANCE: 2MΩ AT 500VDC
 - DIELECTRIC STRENGTH: 1000VAC FOR 1 MINUTE
 - ▲ DENOTES CRITICAL PARAMETER
 - CONTACT RATING: 20A 125VAC,
15A 277VAC
2HP 125/277VAC
 - ▲ 11. SUPPLIED HARDWARE: 2 HEXNUTS



OBJECT ID
000001118

B	24486	DRAWING UPDATE CAD TO INVENTOR	9/14/20	MJR
A	PCR00051	INITIAL RELEASE	8/9/09	CAB
REV	PCR NO	DESCRIPTION	DATE	BY

TITLE		ST34SE00	
SCALE	DATE	DR	DWG
2:3	8/5/2009	CAB	34-ST34SE00
			REV
			B